



## MediPower™ is a fully integrated UL/IEC60601-1 Mobile Medical Power System.

The new MediPower™ medical power system provides 175VA of output with a peak power of 250VA. The efficient design provides the necessary power to support medical equipment, while providing the proper overload capability required by devices such as printers.

The MediPower™ series provides a true sign wave AC output of 120V, with a universal AC input at 90Vac to 264Vac, enabling world wide support with a single unit. It can seamlessly change from an AC outlet to battery operation without the need for a transfer switch. This proven topology allows uninterrupted AC power at the output, irrespective of any power disturbance at the input.

MediPower™ delivers a 30% lighter solution designed to sustain the rough hospital environment. The integrated system design provides all the necessary features to add extended battery life to mobile medical devices. Its flexible design makes it configurable to customer specific technologies without added expenses.

TDI's medical power solutions have been used on medical carts for over a decade. MediPower™ incorporates reliable and safe methodologies with new product design innovation.

### Features:

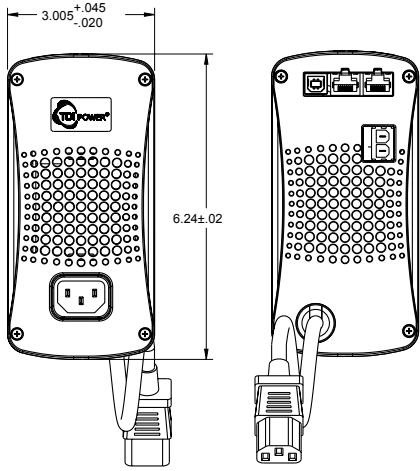
- **All-in-One:**  
Fully Integrated UL/IEC60601-1 Mobile Power System
- **Universal Input:**  
90VAC – 264VAC
- **Rapid recharge:**  
2.5 Hours
- **350W Charger:**  
Simultaneously charges battery while running the system
- **Continuous On-line Operation:**  
Increases reliability and eliminates long term mechanical failures
- **Light Weight Design:**  
Power Unit 4.5 lb. (2.1kg)
- **Standard API:**  
Integrates directly into windows USB Battery drivers
- **Supports Smart Battery Protocols:**  
SMB & ModBus
- **Easy Integration:**  
Can be mounted to existing medical carts and rolling stands
- **OEM:**  
Custom Solutions Available



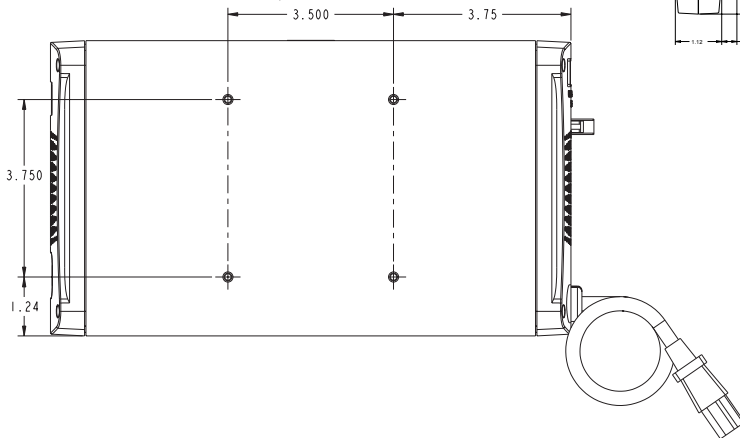
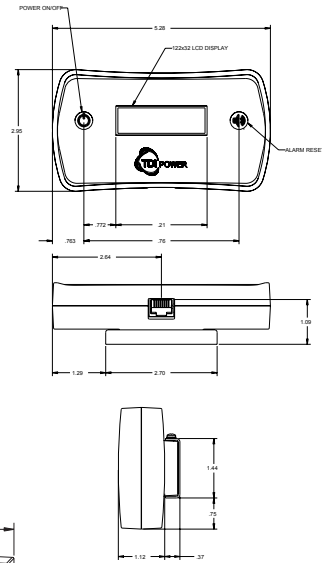
# MEDIPOWER™

## Fully Integrated Power System and Battery for Medical Carts

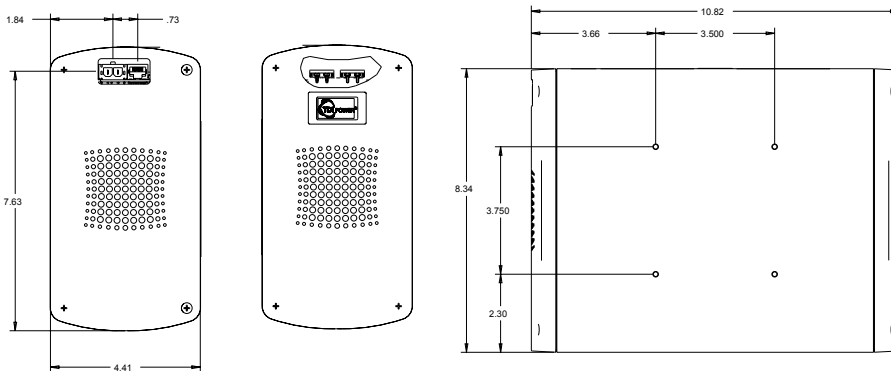
### MEDIPOWER™ - SPS4450-3



### RUI - SPS5974



### BATTERY - SPS5973



Parameter	MediPower™
<b>Input</b>	
AC Main Connection	100VAC - 240 VAC
AC Frequency	47-63 Hz
Max AC Input Current	4A
Power Factor \ Harmonic Correction	Compliant to IEC61000-3-2
Inrush Current (Typ)	40Apk
AC Connection Type	Panel mount IEC 60320, C14
<b>Input Protection</b>	
Surge Protection	Compliant to IEC 61000-4-5
Input Over-Current	Y
<b>AC Output</b>	
AC (Pure Sine Wave)	120 VAC
AC Frequency	57-63 Hz
AC Output Current	1.46A
Power (continuous)	175 VA
Power (Peak)	200 VA
Line regulation (from AC or DC)	< 2%
Load regulation	< 3%
AC Connection Type	IEC 60320 - C13
AC Connection Cord	10"
Total Harmonic Distortion	< 3% THD
<b>AC Output Protection</b>	
Max AC Current	1.87A
Power Limit, Short Circuit	Y
<b>Battery Source</b>	
DC Voltage	24V nominal
DC Current (max)	10A charge/ 20A discharge
Type	SLA & Li-Ion
Charge & Supply Load	Simultaneously
Typical Charge Time	2.5 Hours
<b>Environmental</b>	
Operating Temperature	0°C to +40°C
Humidity (non-condensing)	0% - 95%
Storage Temperature	-10°C to +50°C
Over Temperature Protection	Y
<b>Physical</b>	
Construction	Enclosed Rugged Aluminum
Power Supply Dimensions (D x H x W)	11.0"x6.25"x 3.0" (279 x 159 x 76 mm)
Battery Dimensions (D x H x W)	10.85"x8.35"x4.4" (275x212x112mm)
Power Supply Weight	4.5 lb. (2.1Kg)
Battery Weight	15 lb. (6.8Kg)
Cooling	Temp. & Speed Controlled Fan
<b>Safety</b>	
Isolation Level	4Kv
Marking	TUV
Safety & EMC Standard	UL/IEC 60601-1 (3rd Ed.) UL/IEC 60950-1
RoHS/WEEE	Compliant
<b>Communication</b>	
USB	HID Compliant
Battery	Smart Battery Support
BUS	SMBus & Modbus